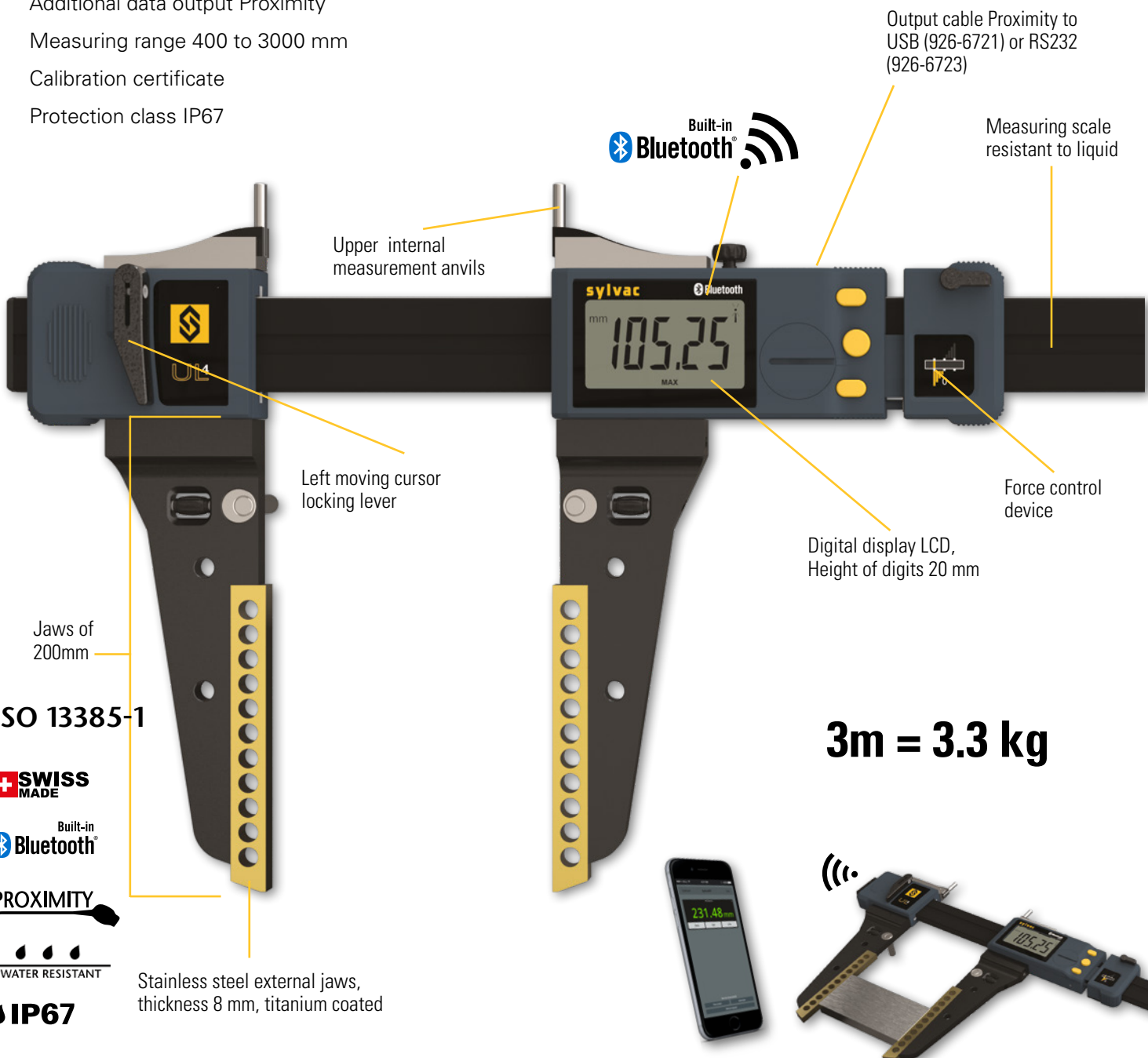


Ultra light caliper

UL4

DESCRIPTION

- Ultra-light, large callipers with integrated Bluetooth® system
- Frame made of special aluminium profile reinforced with 4 stainless steel guide rods
- New XXL display unit with digits 20 mm high
- Three buttons, including the central button with selectable favourite function
- Measuring force control device
- Long outer jaws 200 mm with measuring part made of hardened steel 124 x 8 mm coated with titanium nitride (TiN)
- On request, our UL4 callipers with jaws up to 400 mm long are available (please specify when ordering).
- Lever-lockable movable left jaw
- Removable upper studs with hardened metal pin Ø 5 mm for internal measurements
- Additional data output Proximity
- Measuring range 400 to 3000 mm
- Calibration certificate
- Protection class IP67



C

ISO 13385-1

SWISS MADE

Built-in Bluetooth

PROXIMITY

WATER RESISTANT

IP67

Stainless steel external jaws, thickness 8 mm, titanium coated

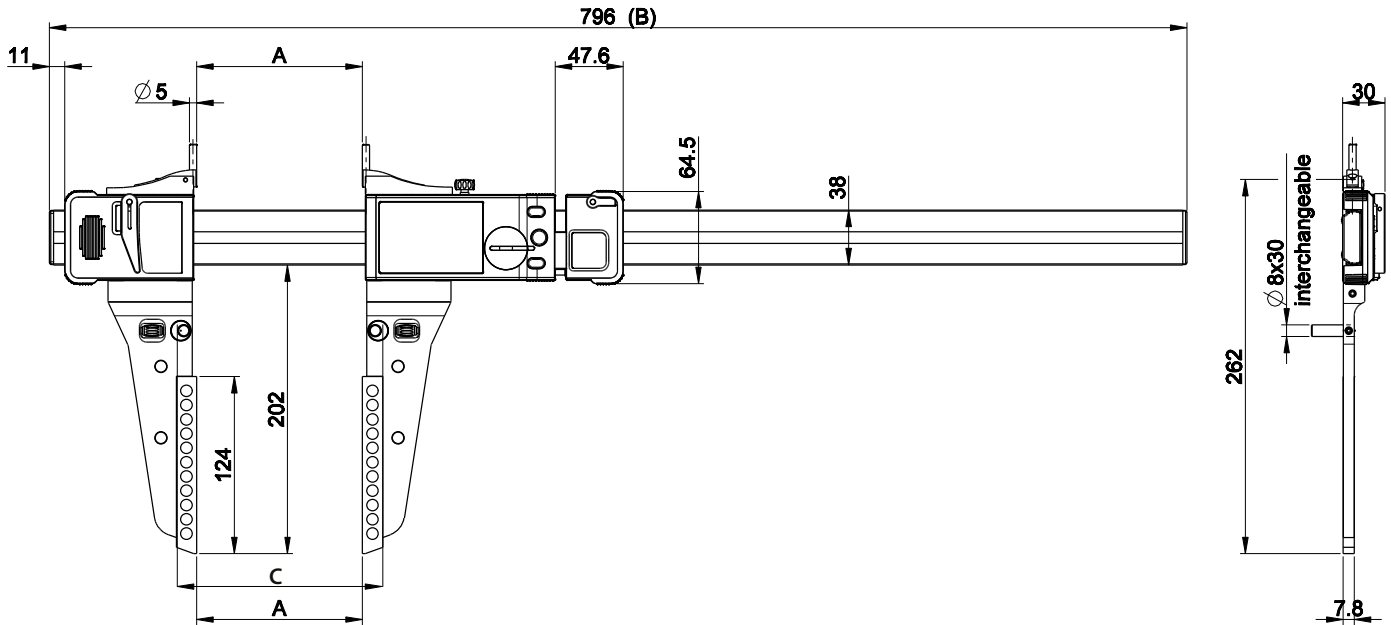
3m = 3.3 kg



Ultra light caliper

UL4

DIMENSIONAL DRAWING



TECHNICAL SPECIFICATIONS

		811-1404	811-1406	811-1410	811-1415	811-1420	811-1425	811-1430
Model	mm	400	600	1000	1500	2000	2500	3000
Max. Error	µm	30	40	50	90	120	150	200
Repeatability	µm	20			30			
Resolution	mm	0.01						
A	mm	0-478	0-683	0-1093	0-1608	0-2123	0-2638	0-3153
C	mm	27-505	27-710	27-1110	27-1635	27-2150	27-2665	27-3180
B	mm	796	1001	1411	1926	2441	2956	3471
Measuring Force	N	7.5 - 11.5 (±20%)						
Output data		Bluetooth® wireless technology* / RS232 / USB						
IP67 Protection		●						
Preset max.		±9999.99 mm / ±399.9995 IN						
Weight	kg	1.5	1.6	1.9	2.3	2.6	2.9	3.3
Setting by PC		●						
2 references		●						
Min/Max function		●						
Tolerance limit indicators		●						

* Up to 8 instruments connected per dongle #981-7100